

BLASTSAFE™ ORIGIN HELMET FOR ABRASIVE BLASTING

User Manual
Benutzerhandbuch
Manual de usuario
Manuel



MADE FOR BLASTHEROES

1. INTRODUCTION 3, 13
2. PURPOSE AND APPLICATIONS 3, 13
3. BEFORE FIRST-TIME USE 4, 13
4. USAGE 5, 13
5. CLEANING 6, 13
6. MAINTENANCE AND INSPECTION 6, 13
7. After replacing parts, conduct a function test 8, 13
8. MAINTENANCE ROUTINES 8, 13
9. STORAGE 8, 13
10. SPARE PARTS 8, 13
11. TECHNICAL SPECIFICATIONS 9, 13
12. MANDATORY REQUIREMENTS AND REGULATIONS 10, 13
13. GENERAL 10, 13

Also find "User Guides" at our web site <http://www.silencer.no/user-guides>
Auch "User Guides" finden Sie auf unserer Website
También encontrará "Guías de usuario" en nuestro sitio web user-guides
Vous trouverez également des « Guides de l'utilisateur » sur notre site Web

1. INTRODUCTION
This user manual relates to complete personal respiratory protection with accompanying compressed air line, as specified in EN 14594:2018 class 4B. Complete personal respiratory protection includes:
Blastsafe™ ORIGIN - helmet for abrasive blasting, with full hood.
2. PURPOSE AND APPLICATIONS
The equipment is for use in working environments where the respiratory organs, face and head need protecting from ricocheting media, particulate matter, dust, steam or fumes and gases. When the sandblaster's helmet is connected to a compressed air system via the compressed air line, air flows out through the air channel into the front of the helmet. The air exits the helmet at the neck. The required through-flow of air can be adjusted by means of the regulator. The integral air flow indicator shows whether sufficient air is flowing into the helmet. Both inner and outer visors are easily replaceable when worn or damaged. The front cover of the visor frame is opened to replace these. The integral "earmuffs" protect the user's hearing against noise (*Fig. 4.2*).
- 2.1. Restrictions on use
 - 2.1.1. The equipment is not suitable for use in areas with: intense heat radiation, open flame, explosive potential or whenever there is an high concentration of hazardous substances, or highly toxic atmospheres, thereby creating an immediate risk to health.
 - 2.1.2. If the room temperature is below freezing point, moisture in the compressed air circuit can lead to the formation of ice in the coupling or regulator, thereby stopping the continued supply of air. In such cases it is necessary to establish that the humidity of the compressed air (at atmospheric pressure) is less than 50 mg/m³. This in accordance to EN 12021.
 - 2.1.3. Before using the equipment for the first time, the user must practise taking the equipment off quickly.
 - 2.1.4. Make sure that the breathing air is in accordance with EN12021.
 - 2.1.5. It is not permitted to use oxygen or oxygenated air.
 - 2.1.6. Connections and line couplings must be kept clean during connection and disconnection.
 - 2.1.7. Every user connected to the air supply system shall check that the capacity of the air supply system is sufficient for himself in accordance with the information

supplied by the manufacturer.

- 2.1.8. The donning process shall be carried out strictly in accordance to the information supplied by the manufacturer found in the user manual.
- 2.1.9. "Were appropriate the, marking "F" indicates that the RPD and the compressed air supply tube can be used in situations where exposed to flame can be a risk".
- 2.1.10. When connecting the RPD to air supply pipes only breathing air couplings shall be used.
- 2.1.11. During very strenuous work, it is possible that negative pressure will temporarily arise in the hood, which will result in a reduction of the equipment's protective factor.
- 2.1.12. Air speeds above 2 m/s can affect the equipment's protective factor.
- 2.1.13. When using compressed air for both the hood and compressed air tools (e.g. spray painting), it needs to be ensured that the flow of air to the hood is sufficient when the air being consumed by the compressed air tools is at its peak. If necessary, the working pressure can be altered.
- 2.1.14. The equipment must only be used by skilled operatives who are also fully aware of the hazards that may arise as a result of the work being carried out.
- 2.1.15. The respiratory helmet has not been tested for compliance with EN 397.
- 2.1.16. The equipment provides acoustic attenuation (soundproofing) to 42 dB(A). In some cases the attenuation value may be reduced owing to a less than optimal seal between head and " earmuffs" (due to hair growth, glasses, goggles etc.).
- 2.1.17. The use of earplugs is recommended in addition to the integral hearing protection devices.
- 2.1.18. No air line longer than 50m must be used (total from compressor to mask) and with a maximum of 3 lines interconnected.

3. BEFORE FIRST-TIME USE

The equipment is supplied partly assembled. Before use, loose parts must be assembled following the assembly instructions carefully. If any uncertainty arises with regard to assembly, please contact Silencer AS before putting the equipment into service.

3.1. Fitting instructions

Note: Numbers in brackets refer to the Figure and Assembly numbers.

- 3.1.1. Adjust the " earmuffs" / earmuffs (*Fig 4.2*) to approximately the right length by pushing them up or down.
- 3.1.2. Press the " earmuffs" out carefully to the side until a "click" is heard (*Fig.4.3*). Place the helmet on the head (*fig. 7.3*). Press the " earmuffs" in towards the head until a

"click" is heard. Place one hand halfway up the helmet, guiding the other hand up between hood and "CAPE top" (*fig. 7.4*). Locate one ear defender and pull it up/ down until it is in the correct position. Do the same thing on the other side.

- 3.1.3. Adjust the head-strap (*Fig. 4.4*) until the helmet is secure and comfortable.
- 3.1.4. Secure line with regulator, filters, coupling and belt to the "CAPE top" by pulling the belt into the sheaths (*fig. 7.5*). Take care that the regulator is located centrally at the rear and is facing out from the "CAPE top".
- 3.1.5. Secure the bayonet fitting (*Fig.6*) to the bayonet fitting mounted on the helmet shell (*item 6 - assembly 9*).
- 3.1.6. Carry out maintenance in accordance with paragraphs 6 and 7.

4. USAGE

4.1. Before use (*ref. Fig. 2.1 - 7.3*)

Check that the compressor has been turned on and set to the correct pressure. (A worn and/or dirty compressor will produce contaminated air, which can be purified using a filter panel.) Inspect to see that the compressor cannot suck hazardous substances in through the air intake. Check that all components have been cleaned and inspected as described in paragraphs 5 and 6. Adjust the working pressure to a minimum 5 bar. Hook up the sandblaster's helmet to the compressed air system via the compressed air line. Adjust the head-strap to the correct size. Adjust " earmuffs" to correct length by pushing them up or down, as they may have dislodged when the hood was last taken off. Carefully press " earmuffs" out to the side until a "click" is heard. Place the helmet on the head. Guide the hands up between hood and "CAPE top". Press " earmuffs" in against the head until a "click" is heard. Adjust " earmuffs" so that they surround the ears as far as possible in order to achieve the best soundproofing possible. Guide the hands in under the "CAPE top" and close the neck by tightening the band in order to ensure sufficient pressure inside the air hood. Fasten the belt buckle.

4.2. During use

4.2.1. Airflow

Adjust air flow as required. The integral air flow indicator warns the user if the air supply is inadequate. The air flow indicator has been installed so that the orange pennant is not visible when there is a sufficient through-flow of air. It will only work optimally when positioned vertically, and will seem rather sluggish if the head is angled far forward or to either side. For safety reasons the regulator cannot be shut off altogether. Leave the work area immediately if any break occurs in the air supply. Check that the compressed air line cannot possibly be lodged in such a way as to disrupt the air supply or prevent the person leaving the work area quickly. The integral hearing protection will reduce the general level of

noise, but the additional use of earplugs is recommended.

4.2.2. Indicator

If the Air Flow Indicator falls down during operation, which indicates to low airflow, the operator must remove the helmet from the head. Control and establish the correct airflow and make sure the indicator is placed in the hidden position by pushing the indicator in. The helmet is now serviced for further use.

4.3. After use

After leaving the work area, release the belt buckle, loosen the band at the neck, take off the helmet and disconnect the air supply line. Use a brush or a rag to remove loose remains and dirt or grime from components. Clean and inspect in accordance with instructions described in paragraphs 5 and 6. When connecting and disconnecting, be careful not to allow any contamination into the open coupling.

5. CLEANING

After every work session, clean helmet, hood and "CAPE top" using a mixture of water and mild synthetic detergent. Do not use any form of solvent. The textile part can be machine washed at 30 degrees Celsius using a mild washing powder. Use a disinfectant to clean the internal surfaces of the helmet. Follow the instructions issued by the disinfectant manufacturer. For reasons of hygiene, the equipment should only be used by the same person. Blast the coupling and regulator clean with compressed air. Finally, use a dry cloth to dry all metal parts in order to avoid corrosion. When cleaning, be vigilant not to breathe in any harmful substances generated during cleaning.

6. MAINTENANCE AND INSPECTION

6.1. Replace "wire mesh" (fig.5.4-6) (item2, Assembly 2) and "outer glass" (fig.5.4-6) (item 1, Assembly 2)

Lean the head forward until the visor is in a roughly horizontal position. Open the "outer frame" with one hand and remove the "wire mesh"/"outer glass" with the other hand. Fit a new "outer glass" onto the "wire mesh". (If necessary, replace the "wire mesh".) Lean the head forward into a roughly horizontal position again. Place the "outer glass" with mesh into the "outer frame" (with the "wire mesh" on the outside). Close the "outer frame" while holding the "wire mesh"/ glass in place with your thumb, for example. Check that the "visor frame" "elastic band" is properly secured (Fig. 3.1).

6.2. Replace safety glass and safety gasket (fig. 8.2-8.3)

Push the safety glass into the "safety glass seal/gasket" (Fig. 8.3). Then push the gasket, complete with glass, into the visor frame (Fig. 8.2). Take care that the two vertical mounting edges face inwards and surround the edge of the visor opening. Press the gasket home firmly. Position the "outer glass" on the "gasket". Place the

"wire mesh" onto the "outer glass". Close the "visor frame" cover and secure the "visor frame" with "elastic band" locked on the "hook" (Fig. 8.0). Check that the "visor frame" cover is locked in position (fig. 3.1).

6.3. Replace "CAPE top" (Assembly 1 and 4)

Remove "wire mesh", "outer glass", "inner safety glass", "safety glass seal", "outer frame" as described in paragraph 6.1 and 6.2.

Loosen/ remove 2 screws on the top of the helmet shell (Item1, Assembly4). Keep the 2 washers. This will loosen the "head band assembly" (Item2, Assembly4). Loosen 3 screws at the front of the helmet shell, 2 screws at the back of the helmet shell, 2 screws on each side of the visor and 1 for the elastic hook (Item3, Assembly1). Remove and keep all screws and nuts for assembly. (Note: Mind screws, "plastic nuts" and washers; these need to be fitted in the same position when re-assembled.) Once all the screws and nuts have been removed (12sets in total), the helmet shell can be separated from the "inner shell" (Item1, Assembly1), thereby releasing the ""CAPE top" top" (Item7, Assembly1). Place a new ""CAPE top" top" over the "Soft inner shell". Lay the round band in the ""CAPE top" top" around along the countersink in the "Soft inner shell". Take care that the shallow countersink on the "CAPE top" is located at the front of the "Soft inner shell". Adjust the "CAPE top" so that the joining seams on either side of the "CAPE top" are positioned centrally above the ear area in the "Soft inner shell". Check that the "CAPE top" is correctly positioned. [Note: If desired, the "CAPE top" can be taped securely to the "Soft inner shell". Press the helmet shell down over the "Soft inner shell" so as to lock the round band in the "CAPE top" in the channel formed between the "Soft inner shell" and the helmet shell. Straighten the "CAPE top" so that it is evenly distributed around the edge. Take care that the round band does not slip out of the channel.

Squeeze the helmet shell and "Soft inner shell" together firmly and press 2 "plastic nuts" in through the helmet shell and "Soft inner shell" at the back, screwing in the screw (Note. The plastic screws have a limit of 1Nm Torque, they break easily, so be careful, Ref. Assembly 1). Press 2 "plastic nuts" in through the "helmet shell" and "Soft inner shell" at the front and screw in the screws. Fit the " earmuffs".

6.4. Regulator Maintenance (air flow)

Lubricator used on the seals in the Air Flow Regulator can under some condition harden. This might cause air leakage, or the regulator might be difficulty to operate. If this condition occurs, dismantle the regulator, clean and lubricate the O-rings with approved lubrication for O-rings. Or get the valve serviced at your Distributor. (Assembly3)

1. AFTER REPLACING PARTS, CONDUCT A FUNCTION TEST

1.1. Function test

After cleaning, disinfecting or replacing components, check that the system is functioning, inspect all essential parts for damage or contamination and, if required, replace with original spares. If the orange pennant on the air flow indicator displays insufficient air supply in the hood even though the pressure is correctly adjusted, this may indicate that a blockage has occurred in the filter system, the compressed air line, the couplings or the soundproofing. During this check, hold the helmet in the vertical position (normal working position). Checking the line system for leakage Carry out manual testing by pulling on the coupling and air supply line. Connect the equipment to the compressed air supply via the compressed air line. Inspect to see that no leakage sounds are coming from the air supply and/or compressed air line.

2. MAINTENANCE ROUTINES

2.1.1. Before use:

Function and leakage inspection

2.1.2. After use:

Cleaning and disinfection of equipment: cleaning, function check and leakage inspection of complete equipment

2.1.1. Every 6 months:

Cleaning and disinfection of equipment: cleaning, function check and leakage inspection of complete equipment, as well as O-ring replacement in bayonet fittings.

3. STORAGE

After use and cleaning, store the equipment in a cool, dry, dark place. Make sure you prevent components and parts of the equipment coming into contact with oil, grease, solvents, acid sand other chemicals. The protective mask can be stored for two years in this way without deteriorating in quality.

4. SPARE PARTS

List of spare parts is available at the following URL:

Liste der Ersatzparteien

Lista de piezas de repuesto

Liste des pièces de rechange

<http://www.silencer.no/spare-parts>

5. TECHNICAL SPECIFICATIONS

Technische Daten

Especificaciones técnicas

Caractéristiques techniques

Nominal protection factor (NPF)	Nominaler Schutzfaktor Factor de protección nominal Facteur de protection nominal	1,000
Operating pressure	Betriebsdruck Presión de funcionamiento Pression de fonctionnement	min.5 bar max.8 bar
Min. airflow (at5barworking pressureand50mline)	Min. Luftstrom Flujo de aire mínimo Débit d'air min.	190±10 litres/ minute
Max. Air flow (at5barworking pressureand50mline)	Max. Luftstrom Flujo de aire máx. Débit d'air max.	230±10litres/ minute
Min.Room temperature wheninuse	Min. Raumtemperatur bei Gebrauch Temperatura ambiente mínima cuando está en uso Min. Température ambiante en cours d'utilisation	-10°C
Max.roomtemperature wheninuse	Max. Raumtemperatur bei Gebrauch Temperatura máx. de la habitación cuando está en uso Température maximale de la pièce lorsqu'elle est utilisée	50°C
Max.airpressureline length (appliesto total length from compressortomask)	Max. Luftdruckleitungslänge Longitud máx. de la línea de presión de aire Longueur maximale de la conduite de pression d'air	50metres
Max.airpressuresline temperature	Max. Luftdruck Leitungstemperatur Temperatura máx. de la línea de presión de aire Temperatura máx. de la línea de presión de aire	130°C
Generalairpressureline	Allgemeine Luftdruckleitung Línea de presión de aire general Conduite de pression d'air générale	The line is antistatic
Noiselevelwithregulator atmax	Geräuschpegel mit Regler bei max Nivel de ruido con regulador al máximo Niveau sonore avec régulateur au maximum	73dB(A)
Noiseattenuation	Geräuschdämpfung Atenuación del ruido Atténuation du bruit	42dB(A)
Dimensions	"Helmet shell", Width, side to side - 220mm. Length from "outer frame" lower edge to "air intake" edge 370mm, Height 240mm. (+/-1cm) ""CAPE top"", From lower edge of "helmet shell", front - height 670mm. From lower edge of "helmet shell", back - height 700mm. Width, shoulder 740mm, Width, waist 480mm. (+/-2cm)	

6. MANDATORY REQUIREMENTS AND REGULATIONS

- 6.1. FOR 1994-08-19 no. 819: Regulation on construction, design and production of personal protective equipment (PPE). This regulation is equivalent to 89/686/EEC Standard EN 14594:2018 class 4B: Personal respiratory protection
- 6.2. Approval of equipment: Intercert Global Sp.zo.o.
- 6.3. Product inspection as per Module B+C2. 13: Intercert Global Sp.zo.o.
- 6.4. Equipment labelling: Label at the back of the hood/"CAPE top".

7. GENERAL

Silencer AS, is continually working to improve its products and is at liberty to alter the specifications given in this manual without prior warning. Purchases of our products are subject to our General Terms of Sale and Delivery.

7.1. Caution

- 7.1.1. Within the regulatory framework laid down in FOR 1994-08-19 No. 819: Norwegian Regulation on Construction, Design and Production of Personal Protective Equipment (PPE), only approved and correctly CE-marked PPE can be marketed and used. Where non-original parts are used, CE approval will be invalidated in addition to all rights flowing from the guarantee. Only spare parts supplied by Silencer AS must be used.
- 7.1.2. Compressed air hose - EN 14594 point 5.17
- 7.1.3. The compressed air supply tube shall be marked at least with:
 - a) the manufacturer's part number or the manufacturer's type identification;
 - b) the month and year of manufacture (MM-YYYY);c) the manufacturer's trade name, trademark or other means of identification, including if appropriate the marking 'A' to show 'Suitable for use with Class A RPD';
 - d) if appropriate the marking 'H' for 'heat resistant', to show that the tube meets the requirements of 5.13.5;
 - e) if appropriate the marking 'S' for 'anti-static', to show that the tube meets the requirements of 5.13.6;
 - f) if appropriate, the marking 'F' to show that the tube meets the additional requirements of 5.10.4. and point 7.2

7.2 Other information shall comprise:

- a) the correct selection and fitting of the face-piece;
- b) whether or not designed to withstand storage in low or high temperature;

c) the maximum length of compressed air supply tube, and the maximum number of compressed air

supply tubes that may be joined together to give that length;

d) the pressure range of the air supply to the RPD;

e) the maximum working pressure of the compressed air supply tube;

f) the maximum and minimum flow in l/min of the air supply to the RPD;

g) a warning that adequate protection cannot be provided by the RPD in certain highly toxic atmospheres;

h) a warning that at very high work rates the pressure in the face-piece can become negative at peak inhalation flow; a warning concerning

k) a warning against the use of oxygen or oxygen enriched air;

l) a warning that every user connected to the air supply system shall check that the capacity of the air supply system is sufficient for himself in accordance with the information supplied by the manufacturer; that the donning procedure shall be carried out strictly in accordance with the information supplied by the manufacturer

n) the statement: "Where appropriate, the marking 'F' indicates that the RPD and the compressed air supply tube can be used in situations where exposure to flame can be a risk.";

o) where appropriate, a statement that the compressed air supply tube is heat-resistant (H) and/or anti-static (S);

p) the information for cleaning and disinfection agents and procedures;

q) a warning with RPD connected to a mobile compressed air supply system or RPD used and marked for abrasive blasting as to whether or not the manufacturer intends the RPD to be operated with an assistant, together with appropriate instructions concerning the warning device, including a note to the effect that where ear defenders or sound attenuating communications equipment is used, the reduction of the audibility of the warning shall be considered;

r) a warning against other possible connections to couplings connected to pipe systems that supply other gasses than breathable air;

s) risk assessment by the user against possible perilous connections possible at the workplace, e.g.

Nitrogen;

t) the explanation of the markings specified in Clause 7;

u) any other information the manufacturer would like to give;

v) the maximum number of users that can be connected simultaneously to the mobile compressed air supply unit.

Intercert Global Sp.zo.o. NB2957 authorised body, has taken part in the CE type approval in accordance with EN 14594:2018 Class 4B.

Intercert Global Sp.zo.o.





Ul. Krucza 16/22, 00-526 Warsaw

NB2957, KRS: 0000756768, NIP: 9542798660, REGON: 381754761

Blastsafe™ ORIGIN
Helmet for abrasive blasting
 Helm für Abrasivstrahlen
 Casco para voladura abrasiva
 Casque pour sablage abrasif

Fig. 1



-  **Assemble**
 Sich versammeln
 Ensamblar
 Rsembler
-  **Visual inspection**
 Sichtprüfung
 Inspección visual
 Inspection visuelle
-  **Physical inspection**
 Physische Inspektion
 Inspección física
 Inspection physique
-  **Confirm inspection and continue**
 Inspektion bestätigen und fortfahren
 Confirme la inspección y continúe
 Confirmer l'inspection et poursuivre l'inspection

Blastsafe™ ORIGIN
 Assembly instructions
 Montageanleitung
 Instrucciones de montaje
 Instructions de montage

Fig. 2.1



Remove ""CAPE top" bottom"
 Entfernen Sie ""CAPE top" bottom"
 Eliminar ""CAPE top" bottom"
 Supprimer « "CAPE top" bottom »

Fig. 2.2



Inspect
 Inspizieren
 Inspeccionar
 Inspecter

"Air hose"

Fig. 2.3



Inspect
 Inspizieren
 Inspeccionar
 Inspecter

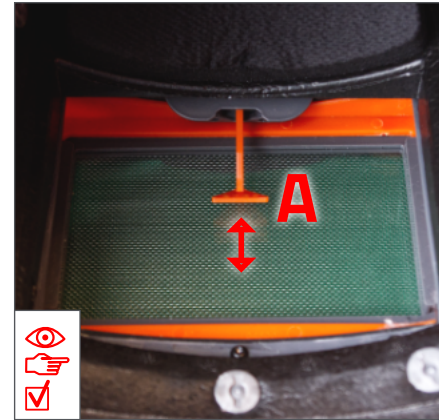
""CAPE top" bottom "

Fig. 2.4



Roll out ""CAPE top" bottom"
 Freie Bewegung prüfen
 Despliega "fondo de capa"
 Déployez « "CAPE top" bottom »

Fig. 3.2



Inspect free movement
 Freie Bewegung prüfen
 Inspeccionar la libre circulación
 Inspecter la libre circulation

A. "Stop slider"

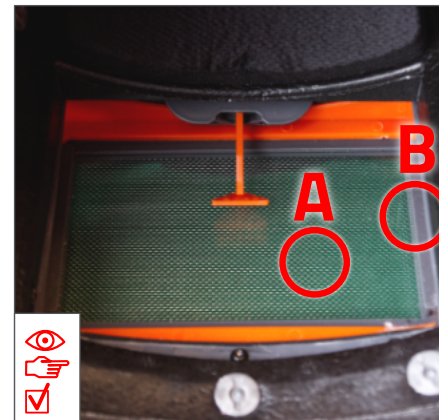
Fig. 3.1



Inspect
 Inspizieren
 Inspeccionar
 Inspecter

A. "Wire mesh"

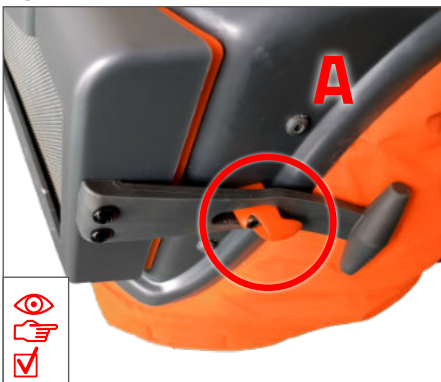
Fig. 3.3



Inspect
 Inspizieren
 Inspeccionar
 Inspecter

A. "Inner safety glass"
 B. "Seal - inner safety glass"

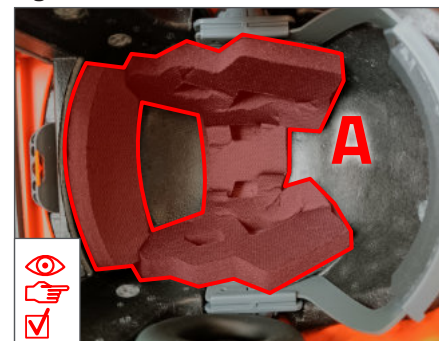
Fig. 3.1



Inspect
 Inspizieren
 Inspeccionar
 Inspecter

A. "Elastic handle"

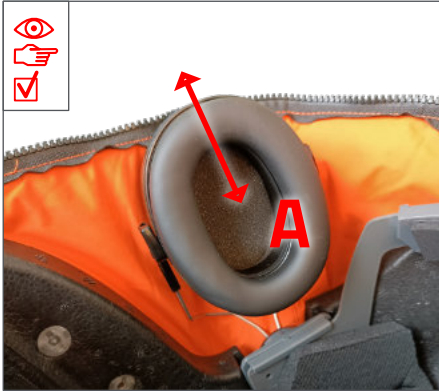
Fig. 4.1



Inspect
 Inspizieren
 Inspeccionar
 Inspecter

A. "Soft pad"

Fig .4.2



Adjust " earmuff" position

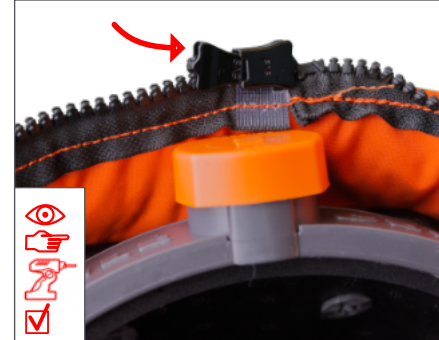
Passen Sie die Position des "Ohrenschützers" an

Ajuste la posición de la "orejera"

Ajuster la position « cache-oreille »

A. "Earmuff"

Fig. 5.1



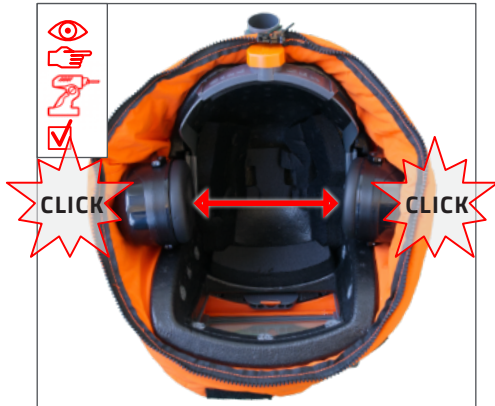
Enter zipper

Reißverschluss eingeben

Introduzca la cremallera

Entrez la fermeture éclair

Fig .4.3



Push, to open position

Schieben, um die Position zu öffnen

Empujar, para abrir la posición

Pousser, pour ouvrir la position

Fig. 5.2



Pull zipper to close

Ziehen Sie den Reißverschluss zum Schließen

Tirez de la cremallera para cerrar

Tirez sur la fermeture à glissière pour la fermer

Fig .4.4



Adjust "headband" to desired position

Stellen Sie "Stirnband" auf die gewünschte Position ein

Ajuste la "diadema" a la posición deseada

Ajuster le « bandeau » à la position souhaitée

Fig. 5.3



Close zipper

Schließen Sie den Reißverschluss

Cerrar cremallera

Fermer la fermeture à glissière

Fig. 5.4



Cover zipper with Velcro® locking
 Deckel Reißverschluss mit Velcro®
 Verriegelung
 Cremallera de cubierta con bloqueo
 de Velcro®
 Fermeture à glissière de couverture
 avec verrouillage Velcro®

Fig. 5.5

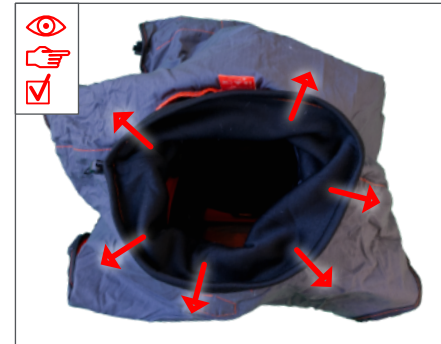


Fig. 7.1



Connect and adjust breathing air
 Atemluft anschließen und einstellen
 Conecte y ajuste el aire respirable
 Connecter et ajuster l'air respirable

Fig. 7.2



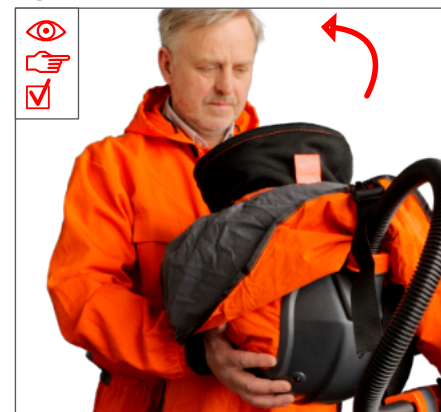
Make sure neck sealing is open
 Stellen Sie sicher, dass die
 Halsversiegelung offen ist
 Asegúrese de que el sellado del
 cuello esté abierto
 Assurez-vous que l'étanchéité du cou
 est ouverte

Fig. 6



Connect hose for breathing air
 Verbindungsschlauch für Atemluft
 Manguera de conexión para respirar
 aire
 Tuyau de connexion pour respirer de
 l'air

Fig. 7.3



Place the helmet on your head
 Legen Sie den Helm auf Ihren Kopf
 Coloque el casco en su cabeza
 Placez le casque sur votre tête

Fig. 7.4



Lock " earmuff" position
Verriegeln Sie die Position
"Ohrenschützer"
Posición de bloqueo de "orejera"
Verrouiller la position « cache-oreille
»

Fig. 7.5



Connect buckles and tighten the
straps
Schnallen verbinden und Gurte
festziehen
Conecta las hebillas y aprieta las
correas
Connectez les boucles et serrez les
sangles

Fig. 7.6



Maintenance

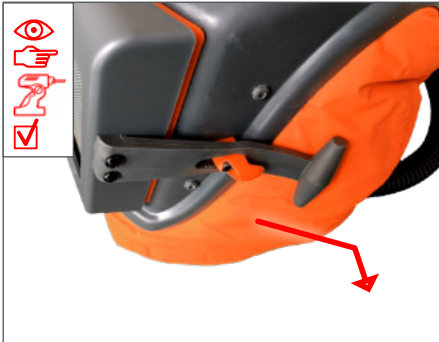
Replacing parts

ahlen

Casco para voladura abrasiva

Casque pour sablage abrasif

Fig. 8.0



Open frame by pulling "elastic band" back and out

Öffnen Sie den Rahmen durch Ziehen des "Gummibandes" hin und her

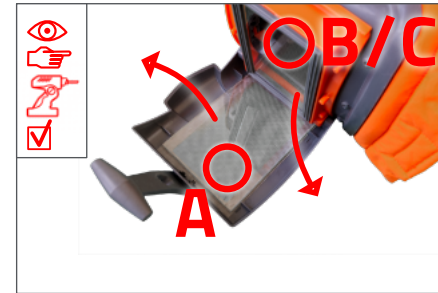
Abra el marco tirando de la "banda elástica" hacia atrás y hacia afuera

Cadre ouvert en tirant « bande élastique » vers l'arrière et vers l'extérieur

Fig. 8.1



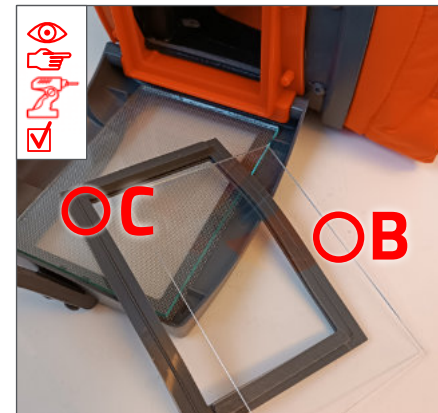
Fig. 8.2



Replace parts
Teile austauschen
Reemplazar piezas
Remplacer des pièces

- A. "Outer glass"/ "Wiremesh"
- B. "Inner safety glass"
- C. "Safety glass seal"

Fig. 8.3



Replace parts
Teile austauschen
Reemplazar piezas
Remplacer des pièces

- A. "Inner safety glass"
- B. "Safety glass seal"

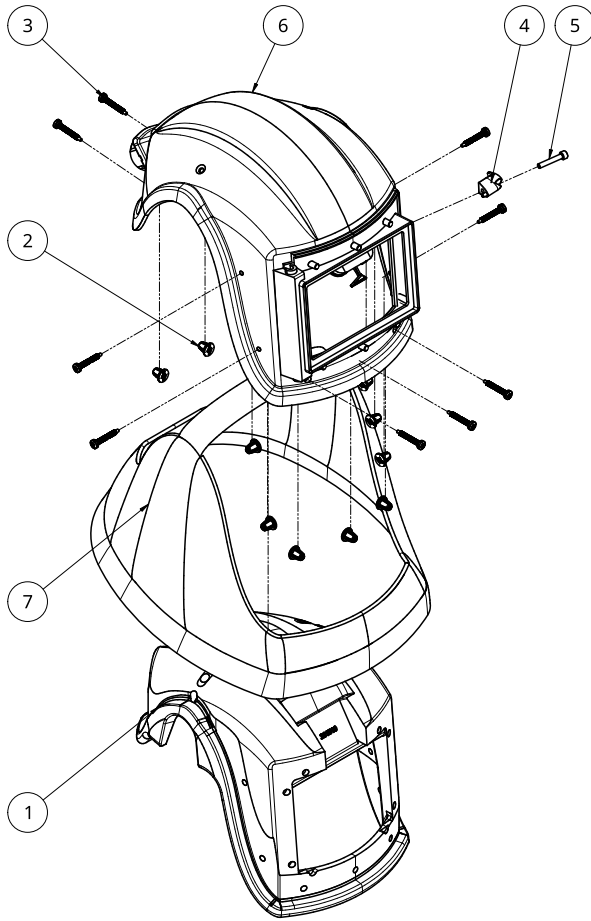
Assembly 1

to replace helmet parts

Montage zum Ersatz von
Helmpartys

Montaje para sustituir a los
cascos

Assemblage pour remplacer
les pièces de casque



Item	Quantity	Part number	Description
1	1	201510	Soft inner shell
2	10	203100	Plastic nut - soft inner shell
3	9	203510	Plastic screw - soft inner shell to helmet shell
4	1	103000	Hook - visor frame
5	1	103500	Screw - hook (M5x0.80 x 30) Stainless Steel
6	1	200000	Helmet shell - Assembly
7	1	500010	Cape - top

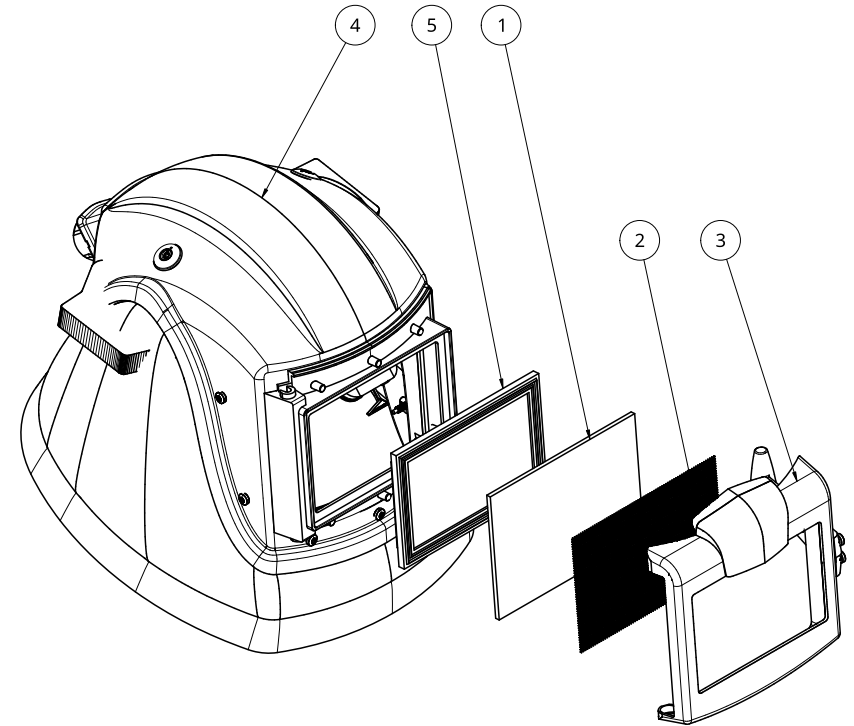
Assembly 2

to replace helmet parts

Montage zum Ersatz von Helmpartys

Montaje para sustituir a los cascos

Assemblage pour remplacer les pièces de casque



Item	Quantity	Part number	Description
1	1	106100	Outer glass - visor
2	1	106000	Wire mesh - visor
3	1	101100	Assembly - Visor frame
4	1	200003b	Headband to helmet shell (old) - Assembly
5	1	105001	Inner safety glass to seal - Assembly

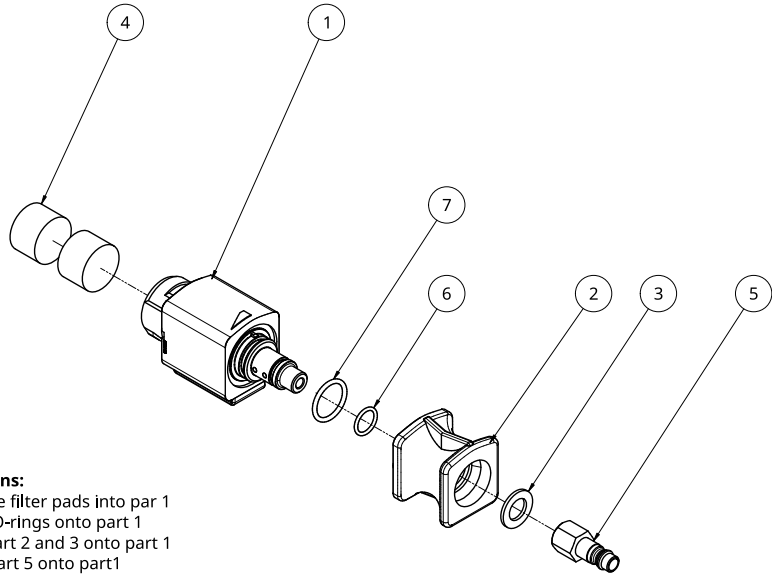
Assembly 3

to replace helmet parts

Montage zum Ersatz von Helmpartys

Montaje para sustituir a los cascos

Assemblage pour remplacer les pièces de casque



Instructions:

1. Place the filter pads into part 1
 2. Mount O-rings onto part 1
 3. Apply part 2 and 3 onto part 1
 4. Screw part 5 onto part 1
- torque 1Nm

Item	Quantity	Part number	Description
1	1	301000	Main air valve
2	1	301500	Air adjustment handle
3	1	304500	Nylon washer
4	2	306500	Filter pads - Wool felts air filter, off white
5	1	304000	CEJN air coupling 1/4" Series 342 - UNOFLOW tst 096
6	1	305500	O-ring small - air valve - 14,3X2,4MM NBR-70
7	1	304700	O-ring medium - air valve (21.89 x 2.62) Nitrile

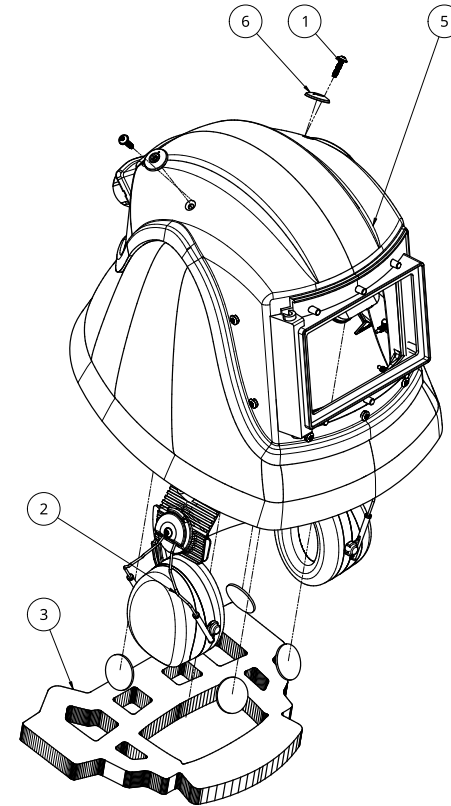
Assembly 4

to replace helmet parts

Montage zum Ersatz von Helmpartys

Montaje para sustituir a los cascos

Assemblage pour remplacer les pièces de casque



Item	Quantity	Part number	Description
1	2	202023	Screw - (4,5x18mm) ear muff to bracket- STP380450180
2	1	401003	Headband (optime3) - Assembly
3	1	201710	Detachable softpad - inner shell
4	5	201710-b	Velcro pad - adhesive - loops
5	1	200002b	Assembly - Cape to Helmet shell (old)
6	2	204007	Plastic washer - bracket to helmet shell (old)

Blastsafe™ ORIGIN

Is recommended to be complimented by our wide range of **Blastsafe™** products.

Notes



Blastsafe™ ULTRA
Abrasive blasting



Blastsafe™ 15K
Wet blasting



Blastsafe™ BASE
Light abrasive blasting



Blastsafe™ GOBI
Dust, Paint and
Inspection



Blastsafe™ IRONGRIP
Abrasive blasting



Blastsafe™ SKYWALKER
Abrasive/ Wet blasting

WWW.BLASTSAFE.NO

BLASTSAFE™
ORIGIN
HELMET FOR ABRASIVE BLASTING

CE NB 2957

EN 14594:2018 Class 4B
See instructions for use



Cape: 40% Cotton, 60% Nylon



Designed in Norway
Made in China
2023/12 2033/12

Silencer AS, Koppholen 6
4313 SANDNES, NORWAY, Org. No 915 259 367

EU Declaration of conformity | www.silencer.no/eudc

Notified body responsible for the
EU Type Examination
Intercert Global Sp. z o. o.
Ul. Krucza 16/22, 00-526 Warszawa
POLAND

NB2957, KRS: 0000756768
NIP: 9542798660, REGON: 381754761



SCANDINAVIAN DESIGN AND DEVELOPMENT
OWNERS